

# Technical data sheet



## Product features

### Fry-top griddle plate smooth s digitálním časovačem

<b>Model</b>	<b>SAP Code</b>	00015134
FTHC 30 ED	<b>A group of articles - web</b>	Grills and grill plates



<b>SAP Code</b>	00015134	<b>Net Height [mm]</b>	406
<b>Net Width [mm]</b>	328	<b>Net Weight [kg]</b>	23.70
<b>Net Depth [mm]</b>	654		

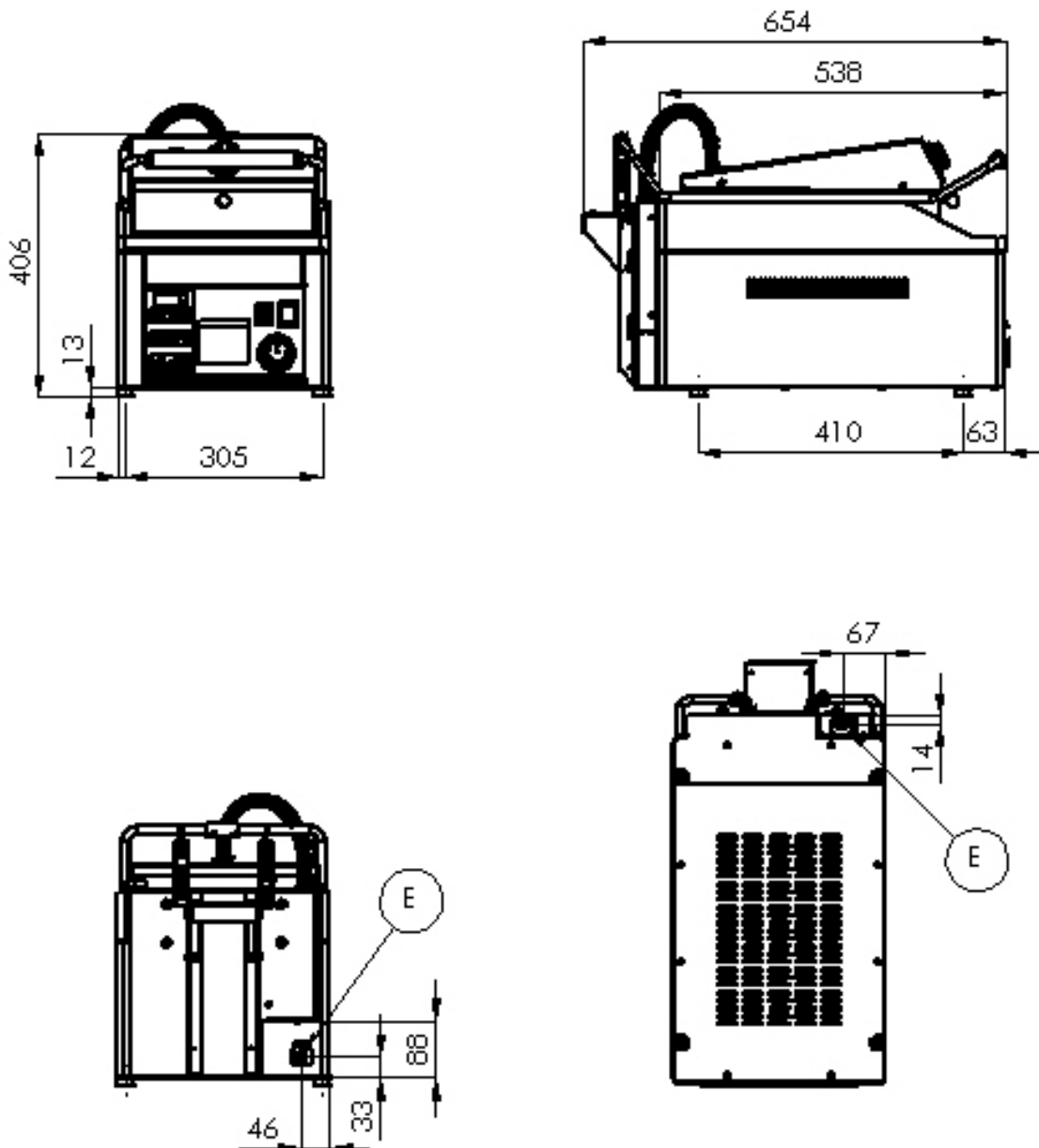
# Technical data sheet



Technical drawing

## Fry-top griddle plate smooth s digitálním časovačem

<b>Model</b>	<b>SAP Code</b>	00015134
FTHC 30 ED	<b>A group of articles - web</b>	Grills and grill plates



# Technical data sheet



Technical parameters

## Fry-top griddle plate smooth s digitálním časovačem

<b>Model</b>	<b>SAP Code</b>	00015134
FTHC 30 ED	<b>A group of articles - web</b>	Grills and grill plates

**1. SAP Code:**

00015134

**2. Net Width [mm]:**

328

**3. Net Depth [mm]:**

654

**4. Net Height [mm]:**

406

**5. Net Weight [kg]:**

23.70

**6. Gross Width [mm]:**

670

**7. Gross depth [mm]:**

395

**8. Gross Height [mm]:**

362

**9. Gross Weight [kg]:**

26.70

**10. Device type:**

Electric unit